

DISASSEMBLY

1. REMOVE TARPAULIN LOCKS

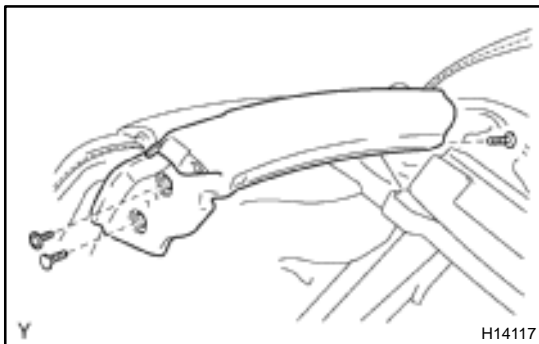
- (a) Remove the 3 screws and tarpaulin lock.
- (b) Remove the RH and LH locks.

2. REMOVE CENTER TARPAULIN BOW STAY CATCH HANDLE

Remove the 2 screws and center tarpaulin bow stay catch handle.

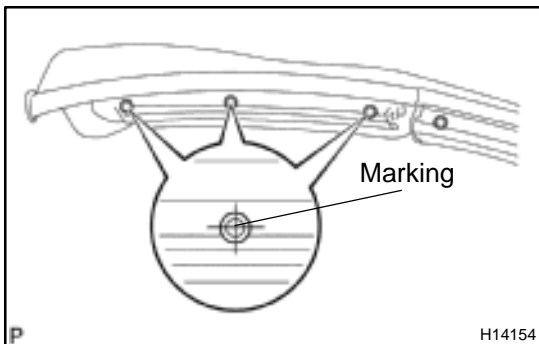
3. REMOVE SET PLATE

Remove 6 screws and set plate.



4. REMOVE FRONT ROOF SIDE RAIL WEATHERSTRIPS

- (a) Remove the screw, 2 clips and roof side rail weatherstrip.
- (b) Remove the RH and LH weatherstrips.



5. REMOVE CENTER ROOF DRIP SIDE FINISH MOULDINGS

- (a) Remove the 4 screws and roof side finish moulding.
- (b) Employ the same manner described above to the other side.

NOTICE:

Before removing the moulding, mark the positioning with a colored pencil on the installation holes.



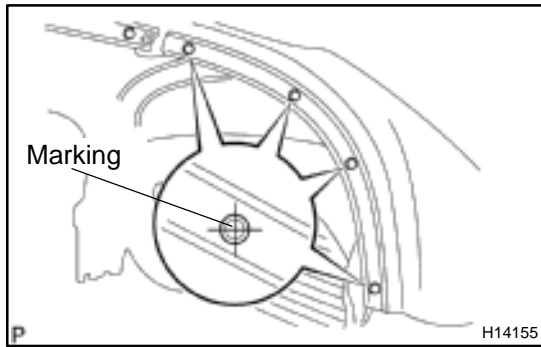
6. REMOVE REAR ROOF SIDE RAIL WEATHERSTRIPS

- (a) Using a clip remover, remove the 2 clips and roof side rail weather strip.

HINT:

Tape the screwdriver tip before use.

- (b) Employ the same manner described above to the other side.

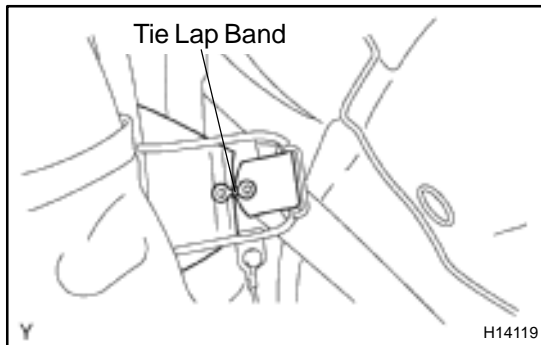


7. REMOVE REAR ROOF SIDE FINISH MOULDINGS

- (a) Remove the 4 screws and rear roof side finish moulding.
- (b) Employ the same manner described above to the other side.

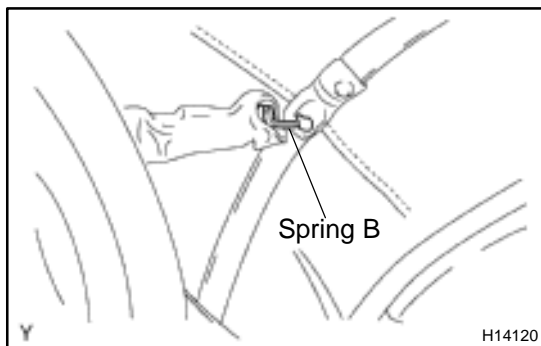
CAUTION:

Before removing the moulding, mark the positioning with a colored pencil on the installation holes.

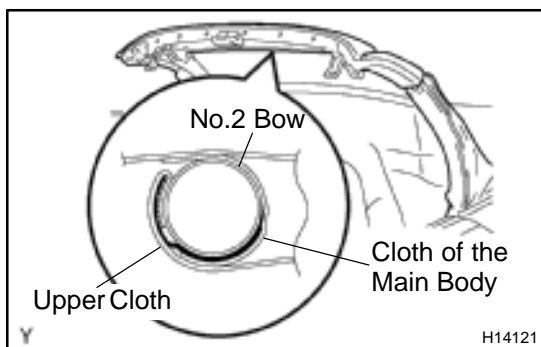


8. REMOVE TARPAULIN COVER

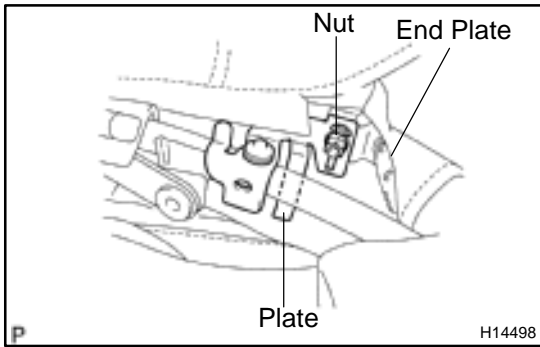
- (a) Close the tarpaulin lightly and cut out the tie lap band.



- (b) Remove the clip.
- (c) Pull up the spring cover and remove the spring B.



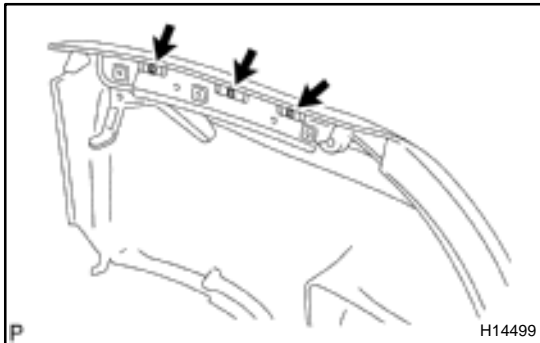
- (d) By marking the tarpaulin assembly in a half-open condition, remove the upper cloth from the No. 2 bow.
- (e) Remove the cloth affixed on the No. 2 bow.
- (f) Remove the upper band.
- (g) Remove the inside cloth of the tarpaulin from the band assembly.



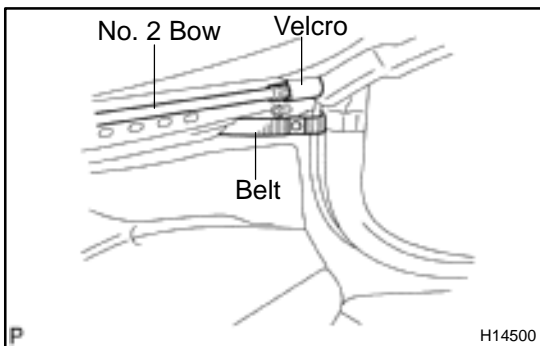
(h) By making the tarpaulin assembly in a full-open condition, remove the nut and end plate.

NOTICE:

Remove the plate pinched in the end plate before hand.

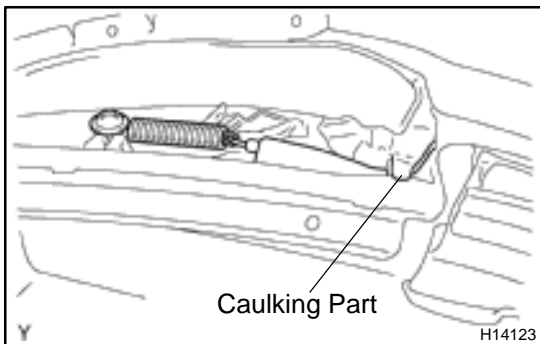


(i) Remove the 6 right and left screws of the tarpaulin cover at the link side.



(j) Remove the tarpaulin belt wrapped around the link side.

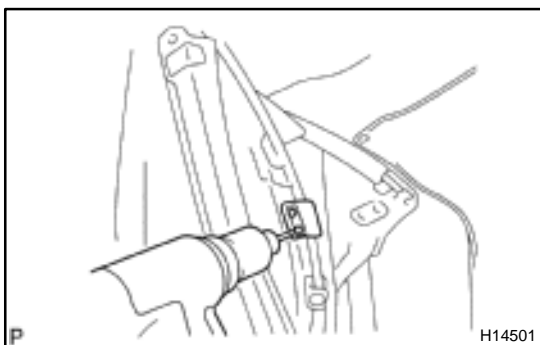
(k) Remove the velcro holding both ends of No. 2 Bow.



(l) Pull up the cover at the link side and remove the caulking of the wire using a screw driver.

(m) Remove the screw and spring.

(n) Remove the front of the tarpaulin cover.



(o) Using a rivet cutter and a drill, drill out the rivets and remove the band.

HINT:

Even if flanges are taken off, continue drilling and push out remaining flangments with the drill.

(p) Remove the tarpaulin cover from the rear of the link toward the front then take it out.

NOTICE:

Take out the cover so as not to damage the glass.